



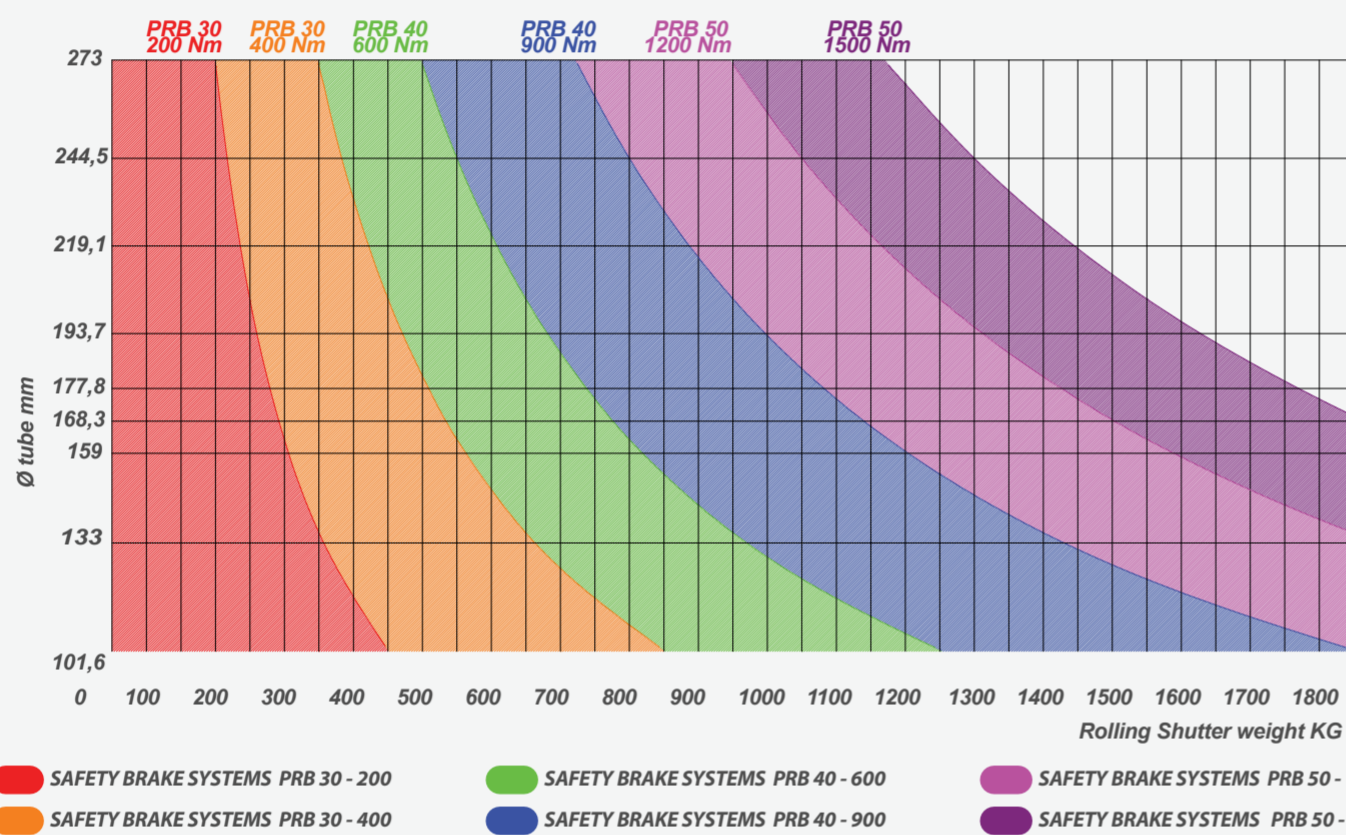
Our Safety Brake system PRB for rolling shutters and other doors with vertical movement is designed and constructed in compliance with the Standards UNI EN 12604 and UNI EN 12605 to guarantee maximum safety in case of the accidental fall of the shutter.

Our safety brake PRB is:

- Secure: The system engages when the rotation speed of the rollshutter's tube exceeds its normal rate. The safety brake PRB stops the rotation of the tube in a progressive but very strong manner.
- Reusable and resettable: The system PRB is characterized by the possibility of being RESET and put again into function after an accidental fall of the shutter, by performing a simple procedure of "REARMING" made DIRECTLY on the tube without any need of disassembling, or any replacement operation.

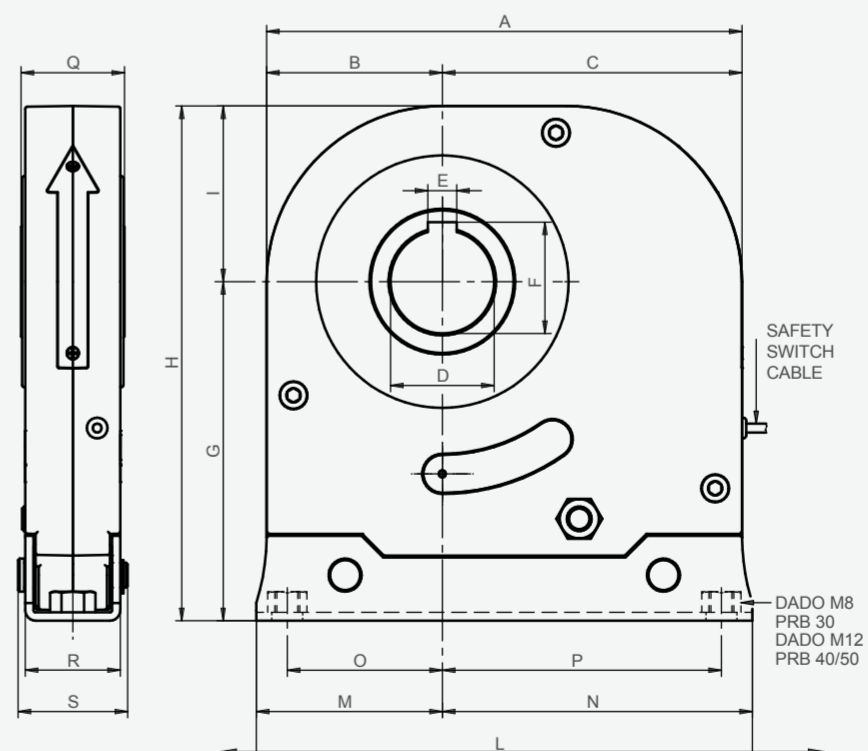
We produce 3 models of the system PRB, in 6 capacities starting from 200 Nm until 1500Nm.

LIFTING CAPACITY CHART



Technical characteristics

TECHNICAL DATA							
MODEL		PRB 30/200	PRB 30/400	PRB 40/600	PRB 40/900	PRB 50/1200	PRB 50/1500
Max Torque	N m	600	1200	1800	2700	3600	4500
Admittable Torque	N m	200	400	600	900	1200	1500
MaxSpeed RPM	RPM/1	21	21	21	21	21	21
Shaft diameter	mm	30	30	40	40	50	50
Degree of protection	IP	65	65	65	65	65	65
Weight	kg	2,230	2,230	8,480	8,480	8,620	8,620
Positioning		horizontal only	horizontal only	horizontal only	horizontal only	horizontal only	horizontal only
Item Code		76930002	76930004	76940006	76940009	76950012	76950015
Reset screw tightening torque	Nm	15	20	15	20	25	30



MODEL \ MEASURES	A mm	B mm	C mm	D mm	E mm	F mm	G mm	H mm	I mm	L mm	M mm	N mm	O mm	P mm	Q mm	R mm	S mm
PRB 30	138	51	87	30,1	8	33,3	100	151	51	145	54,5	90,5	45,5	81,5	36	32	37
PRB 40	230	85	145	40,1	12	43,3	164	249	85	240	90	150	75	135	50	46	53
PRB 50	230	85	145	50,1	14	53,8	164	249	85	240	90	150	75	135	50	46	53